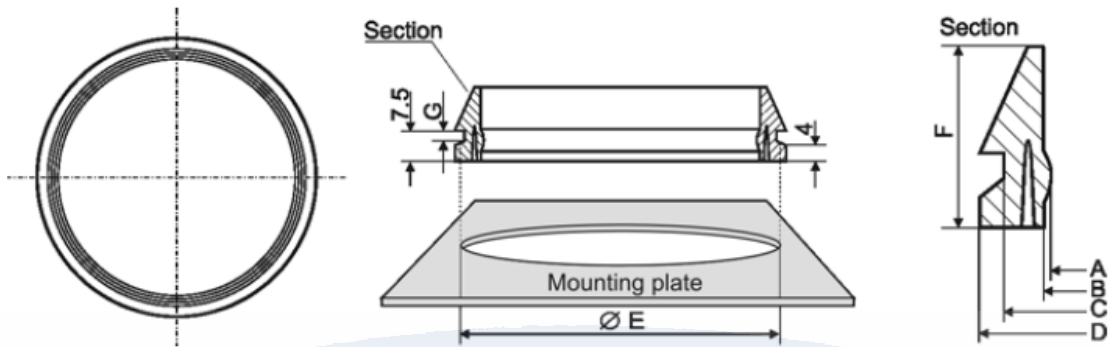


Press Ring

for mounting of Screw - Capacitors



Ø Capacitor	A ^{+0.3}	B ^{+0.3}	C ^{+0.3}	D ^{+0.3}	E ^{+0.2}	F ^{+0.2}	G ^{-0.25}	Product Code Agree with RoHS	Product Code Agree with RoHS and UL-94-V0
64	62.3	64.1	70.5	74.5	71.2	18.0	3.0	K100 - 64 - BF	K400 - 64 - UL
77	74.8	77.0	84.5	88.6	85.5	20.0	2.4	K100 - 77	K400 - 77 - UL
90	88.0	90.0	97.9	102.0	98.6	23.5	3.0	K100 - 90 - BF	K400 - 90 - UL

All dimensions in mm

Product Code

Jianghai Order Code

UL

K100-64-BF	blue	ACCPR164	No	preferred
K100-77	blue	ACCPR177	No	preferred
K100-90-BF	blue	ACCPR190	No	preferred
K400-64-UL	white	ACCPR464	Yes	
K400-77-UL	white	ACCPR477	Yes	
K400-90-UL	white	ACCPR490	Yes	

All parts conform to RoHS. This is a resale activity of JIANGHAI EUROPE GmbH.