



**CAPACITOR  
COMPETENCE**  
*since 1958*

# **DC-LINK CAPACITOR TECHNOLOGY COMPARISON**

Aluminium Electrolytic vs. Film Capacitors

**Technical paper by Dr. Arne Albertsen**



ENGINEERED SOLUTIONS

**JIANGHAI EUROPE**  
Electronic Components GmbH

## DC-Link Capacitor Technology Comparison

Aluminum Electrolytic vs. Film Capacitors

Dr. Arne Albertsen, Jianghai Europe Electronic Components GmbH

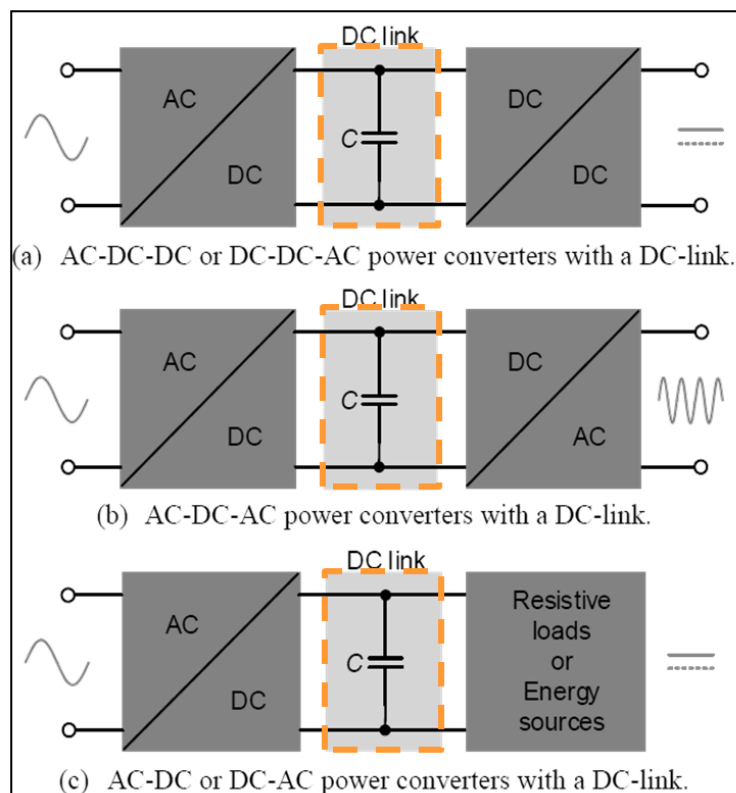
### Introduction

The progress in semiconductor design sets the trend in current and future devices of power electronics: it manifests itself particularly in smaller dimensions, as well as in higher voltages and switching frequencies. Referring to intermediate circuit capacitors, this trend leads to aiming at higher energy densities and larger current loads, and – at the same time – decreasing space.

Under these conditions, especially aluminum electrolytic capacitors and plastic film capacitors offer advantageous solutions. Jianghai has both technologies in the production program and this article gives an overview on the major differences between aluminum electrolytic capacitors and film capacitors.

### Applications of intermediate circuit capacitors

The intermediate circuits (*DC-link*) of converters frequently utilize capacitors. The main tasks of these capacitors are (a) smoothing of the ripple voltage superimposed on the DC-bus voltage and (b) the provision of electrical energy. Figure 1 shows the block diagrams of converters that have a DC link.



**Fig. 1: Examples of inverters with a DC link [6]**

Application examples for inverter comprise wind turbines, photovoltaic power systems, UPS (uninterruptible power supplies), electric motors, electric vehicles, lighting and welding equipment. Depending on the application, different demands for lifetime, reliability, temperature, dielectric strength, current-carrying capability, and other parameters of the intermediate circuit capacitor may

exist. Because there is no universal capacitor solution for all applications, a selection of suitable capacitors on the basis of the specific requirements of the respective application is necessary.

### Comparison of electrolytic capacitors and film capacitors

Figure 2 shows the construction and the essential materials of an aluminum electrolytic capacitor (left) and a polypropylene film capacitor (right). While the active part of electrolytic capacitors, the so-called wound cell, consists of aluminum (anode and cathode foil), paper, and electrolyte, the film capacitor is made of metal-coated plastic film that builds its electrodes.

The peculiarity of the electrolytic capacitor is its "liquid cathode": the total surface of the highly roughened aluminum anode foil, coated with aluminum oxide as dielectric, can be fully contacted through the electrically conductive electrolyte, to realize the high specific capacitance of this technology [1].

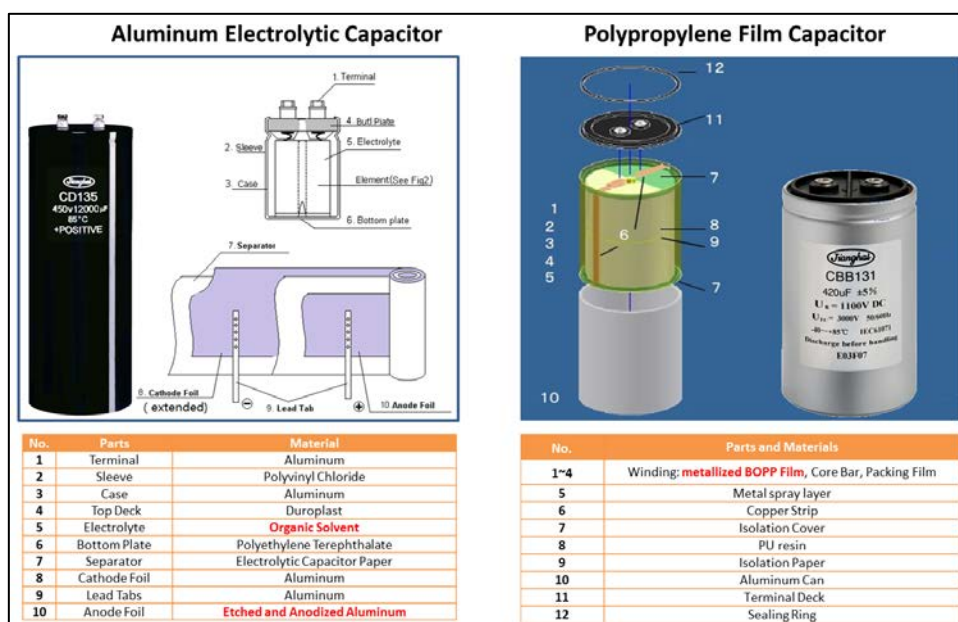


Fig. 2: Structure and materials of electrolytic (left) and film capacitor (right) in comparison

The film capacitor is made from dry materials: the capacitor plates consist of metal vapor, which has been deposited on a plastic film that serves as dielectric. Often, the dielectric is polypropylene, consisting of polymer chains that are preferably oriented in longitudinal and horizontal direction (also known as BOPP for biaxially oriented polypropylene).

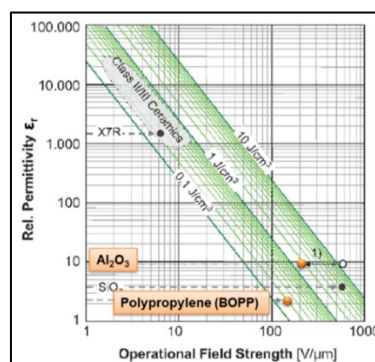


Fig. 3: Energy densities of dielectrics compared - aluminum oxide vs. polypropylene [4]

The different electrical properties of the two technologies originate from the different materials used in them. Figure 3 shows the energy densities for some selected dielectrics in comparison. Actual aluminum electrolytic capacitors have up to ten times higher energy density than polypropylene film capacitors.

Because the electrical current flow in aluminum electrolytic capacitors is facilitated by ions flowing through the electrolyte, the viscosity of the electrolyte has a significant influence on the temperature dependence of the ESR values: at low temperatures the electrolyte becomes more viscous and inhibits the free movement of ions, leading to a higher ESR value. At temperatures above 60 °C, the ESR hardly changes [1]. Also the capacitance of aluminum electrolytic capacitors decreases with falling temperatures by a double-digit percentage. However, ESR and capacitance of the film capacitor show themselves largely unimpressed by temperature fluctuations: the capacitance over the entire temperature range varies only about 3 ~ 5 %, and ESR values remain nearly constant.

These parameters show a similar performance vs. frequency: for electrolytic capacitors, capacitance and ESR both exhibit a strong frequency dependency [1], while film capacitors show almost constant capacitance and ESR values across the technically interesting frequency range from 100 Hz ~ 200 kHz.

The film capacitor offers higher rated voltages than the e-cap: the voltage proof of a single element can be up to 1500 V, while e-cap rated voltages are limited to 650 V [3]. The voltage (and ripple current) limitations of individual electrolytic capacitors requires multiple capacitors to be connected in series and in parallel to build a "capacitor bank". When connecting electrolytic capacitors in series, an active or passive balancing is beneficial to ensure a uniform distribution of the DC-link circuit voltage on the individual capacitor. This extra effort may prove quite useful, as the relatively new "3-level inverter" topology with lower losses, smaller loads of the intermediate circuit and lower specific costs for inverters with higher output power and switching frequencies impressively demonstrates [5].

	<b>Aluminum Electrolytic Capacitor</b>	<b>Film Capacitor</b>
<b>Common Failure mode</b>	Parametric failure Open circuit	Parametric failure Open circuit
<b>Common Failure cause</b>	Electrolyte loss („drying out“) Electrochemical reactions	Corrosion driven by humidity Loss of dielectric area
<b>Important Stressors</b>	$T_{\text{ambient}}$ , $V_{\text{operating}}$ , $I_{\text{ripple}}$	$T_{\text{ambient}}$ , $V_{\text{operating}}$ , humidity
<b>„self-healing“</b>	yes	yes

**Table 1: Comparison of aging, failure modes, and important stressors (according to [2], [6])**

Table 1 compares the major stress factors, failure modes and causes. Electrolytic capacitors as well as film capacitors are referred to as "self-healing": defects in the dielectric layer of electrolytic capacitors are repaired by anodic oxidation, consuming oxygen from the electrolyte. Defects in the film capacitor, however, are burnt and thus electrically isolated, but each burnt defect causes a small loss of dielectric film, i.e. a small decrease of capacitance.

Given operating conditions within the specification limits, both technologies show a "graceful" end-of-life behavior that is mainly characterized by parametric rather than by catastrophic failures.

The operating parameters temperature, voltage, and ripple current determine the lifetime of electrolytic capacitors. For film capacitors, temperature, voltage, and humidity limit the lifetime. The influence of

ripple current on life doesn't enter into the equation, because the self-heating resulting from the particularly low ESR values in film capacitors is negligible. Typical end-of-life change limits for the ESR are double or triple of the initial ESR values for both technologies. Common capacitance losses at the end of life amount to 3% with film, and to 30% with aluminum electrolytic capacitors.

The cost is an important criterion in the choice of a technology: the specific cost to store a given amount of energy with aluminum electrolytic capacitors is significantly less (approximately by a factor of three) than with film capacitors. On the other hand, the superior current-carrying capability of film capacitors outperforms the electrolytic capacitor in terms of cost per Ampère approximately by a factor of two. These significant differences suggest that both technologies will stay available on the market in the future.

## Summary

Modern power electronics designs require compact DC link circuit capacitors with long life spans. Aluminum electrolytic capacitors convince with high specific energy densities and foil capacitors offer great ripple current capability.

Both technologies have physical limits based on their design and the materials used. The selection of a suitable DC link circuit capacitor depends in each case on the respective application requirements. An intensive project support for each application by the capacitor manufacturer is always mandatory.

## References

- [1] Albertsen, A., Lebe lang und in Frieden! Hilfsmittel für eine praxisnahe Elko-Lebensdauerabschätzung, *Elektronik Components* 2009, 22-28 (2009)
- [2] Albertsen, A., Auf eine sichere Bank setzen – Zuverlässigkeit von Elektrolytkondensatoren, *Elektronik Components* 2010, 14-17 (2010)
- [3] Albertsen, A., Gebührenden Abstand einhalten! – Spannungsfestigkeitsbetrachtungen bei Elektrolytkondensatoren, *Elektronik Power*, 54-57 (2011)
- [4] Marz, M., Schletz, A., Eckardt, B., Egelkraut, S., Rauh, H., Power electronics system integration for electric and hybrid vehicles, in: *Proc. International Conference on Integrated Power Electronics Systems (CIPS)*, 2010
- [5] Toigo, I., Zanettin, C., Di Lella, M., IGBT-Modulplattform: Hohe Zuverlässigkeit von USV-Systemen mit leistungsstarken 3-Level-Wechselrichtern, *Elektronik Praxis* (2011)
- [6] Wang, H., Blaabjerg, F., Reliability of capacitors for DC-link applications – An overview, in: *Proc. IEEE Energy Convers. Congr. and Expo.*, 2013, pp. 1866-1873

## Company Profile

Jianghai Europe Electronic Components GmbH, with headquarters and warehouse in Krefeld and Kempen, Germany, supports the European customers of Nantong Jianghai Capacitor Co., Ltd. (Jianghai) in Nantong, China. Jianghai was founded in 1958. While Jianghai initially developed and produced specialty chemical products (such as electrolyte systems), since 1970 it started the design and production of aluminum electrolytic capacitors. Today, etched and formed electrolytic capacitor anode foil, polymer, double layer and lithium-ion capacitors complement the product portfolio. Jianghai is the largest Chinese manufacturer of electrolytic capacitors and one of the three leading manufacturers of snap-in and screw terminal type capacitors in the world.

## Author



Dr. Arne Albertsen studied physics focusing on applied physics at the University of Kiel. He earned diploma (1992) and PhD (1994) degrees on the measurement and analysis of current-time-series of ion channels in biological membranes. In industry, he worked in various areas of environmental and process engineering plant construction. Since 2001, he is dedicated to the marketing and sales of passive and discrete active components for leading companies like Vishay and KOA. Since November 2008, he is responsible as Senior Sales Manager for several European key account customers of Jianghai Europe Electronic Components GmbH (Krefeld). The focus of Dr. Albertsen is the design-in and application support for capacitors in professional industrial applications. Since 2011, Dr. Albertsen volunteers as an expert for electrolytic capacitors and Deputy Chairman in the standardization body "K611" of the DKE in DIN and VDE.

[www.jianghai-europe.com](http://www.jianghai-europe.com)

[a.albertsen@jianghai-europe.com](mailto:a.albertsen@jianghai-europe.com)