

Order Code **Screw Type**

EC	G	1C	BP	101	M	B	E	160	A361	JExxxxx
Technology	Terminal Type	Rated Voltage Code	Series Code	Capacitance Code	Capacitance Tolerance	Mounting	Diameter	Length	For Terminal Code see tables below	for Specials only
EC = Electrolytic Capacitor	Screw = G	For coding please refer to the pages of ratings	CD 135 = BP	100 = 101	±20% = M	Bolt = B	36 = A	53 = 053		
			CD 136 = PK	1000 = 102	±10% = K	No double sleeve = N	40 = B	65 = 065		
			CD 137 = PX	10000 = 103	+30 / -10% = Q	2 stoppers bracket+double sleeve* = I	51 = C	96 = 096		
			CD 138 = PC		+20 / -0% = R	3 stoppers bracket+double sleeve* = Y	64 = D	100 = 100		
			CD 139 = BL		+20 / -10% = V	No bracket, but double sleeve* = D	77 = E	115 = 115		
			CD 13H = BH		+50 / -10% = T	* Double sleeve for diameter ≥ 51 only	90 = F	236 = 236		
			CD 138S = WP				101 = G			
			CD 838 = ZT			preferred				

Technical Specification **Screw Type**

Dimensions

Standard Housing

Order Code: I, Y, D, N

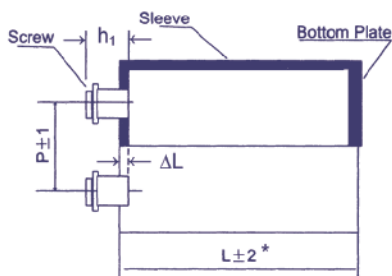
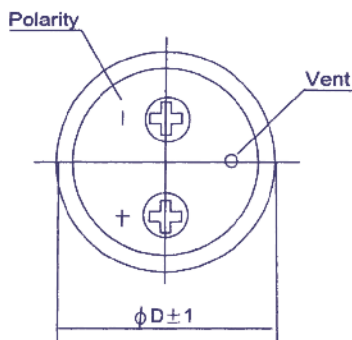
Bolt Housing

Order Code: B

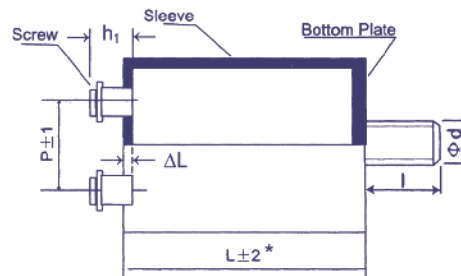
Bolt:

∅ D	∅ d	l
∅ 36	M8	12
≥ ∅ 51	M12	16

in mm



* add 0,5 mm for Double Sleeve (½ length)
order code: (Y, I, D)



∆L = 0,6 mm
h1 see Terminal Table below

Terminal Detail



Screw Definition

Hexagon-Head	M5x10
Hexagon-Head	M6x12
Hexagon-Head	M8x16

Code	∅D	Screw	Pitch P	d1	d2	h1	h2
A361	36	M5	12,7	8	11	6,8	1,8
A362	36	10 - 32	12,7	8	11	6,8	1,8
A511	51	M5	21,8	10	14	6,8	1,8
A512	51	10-32	21,8	8	11	2,5	0,5
D511	51	M5	21,8	10	13	5,5	0
A641	64	M5	28,2	10	15,5	7,3	2,3
A642	64	M5	28,2	15	20	7,3	3,5
A643	64	1/4 - 28	28,2	15	20	7,3	3,5
A644	64	M5	26,0	10	15,5	7,3	2,3
B641	64	1/4 - 28	28,2	17,2	0	6,4	0
C641	64	M5	28,5	13	0	7,3	0
D641	64	M5	28,2	13	15	7,14	0
E641	64	M5	28,2	10	15,5	7,3	2,3
A771	77	M5	31,4	10	15,5	6,3	1,3
A772	77	M6	31,4	10	15,5	6,3	1,3
B771	77	M6	31,4	17,2	0	3,17	0
B772	77	M6	31,4	17,2	0	6,4	0
B773	77	M8	31,4	17,2	0	3,17	0
B774	77	M5	31,4	17,2	0	6,4	0
B775	77	1/4-28	31,4	17,2	0	6,4	0
B778	77	M5	31,4	17,2	0	10,4/6,4	0

Code	∅D	Screw	Pitch P	d1	d2	h1	h2
C771	77	M5	31,4	17,2	0	3,5	0
C772	77	M6	31,4	17,2	0	3,5	0
C773	77	M5	31,4	17,2	0	5,5	0
C774	77	M5	31,4	17,2	0	6,4	0
C775	77	M6	31,4	17,2	0	6,4	0
C777	77	M6	31,4	17,2	0	6,4	0
D771	77	M5	31,4	13	15	6,4	0
F771	77	M6	31,4	13	15	6,4	0
F772	77	M5	31,4	13	15	6,4	0
A901	90	M5	31,4	10	15,5	6,3	1,3
A902	90	M6	31,4	10	15,5	6,3	1,3
B901	90	M6	31,4	17,2	0	6,4	0
B902	90	M5	31,4	17,2	0	6,4	0
B903	90	M5	31,4	17,2	0	10,4/6,4	0
C901	90	M5	31,4	17,2	0	6,4	0
C902	90	M6	31,4	17,2	0	6,4	0
D901	90	M5	31,4	10	13	5,5	0
E901	90	M6	31,4	15	17	8,6	2,4
F901	90	M6	31,4	13	15	6,4	0
A101	101	M8	41,5	17,2	21,5	11,0	6,0

preferred, other forms on request

in mm

Terminal A101 = A991, B774 = B776

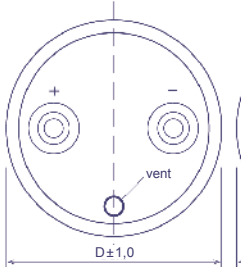
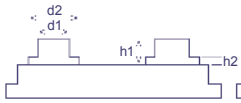
B778 and B903 have different lengths h1 of each terminal.

Terminal A, B and F include potting glue. Terminal C, D and E are without glue (middle pin).

Terminal Form

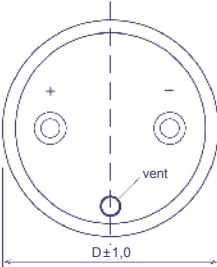
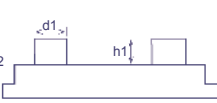
Terminal A

Order Code: AXXX



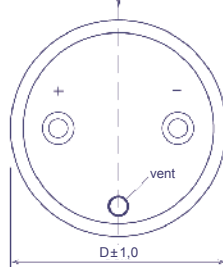
Terminal B

Order Code: BXXX



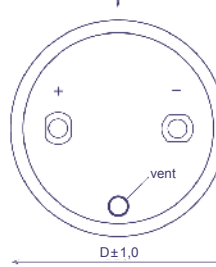
Terminal C

Order Code: CXXX



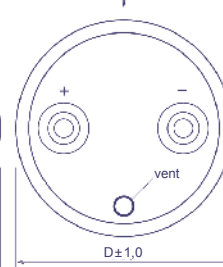
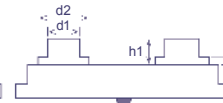
Terminal D

Order Code: DXXX



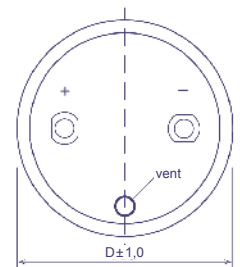
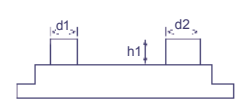
Terminal E

Order Code: EXXX



Terminal F

Order Code: FXXX

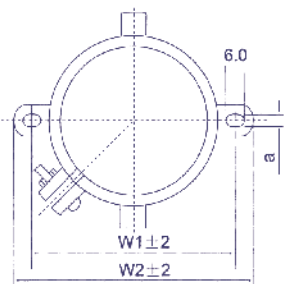


Tolerances of d1, d2, h1, h2 : +/- 0,3 mm, CD 138S WP and CD 139 BL only available with terminal C, D and E

Bracket Mounting

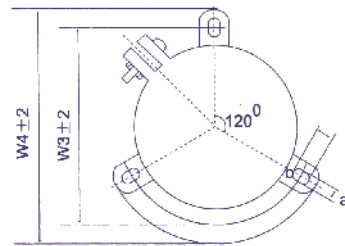
I-Type

Ø D 36-90



Y-Type

Ø D 51-101



Ø D	W1	W2	W3	W4	a	b	h
36	48,0	58,0	-	-	3,8	-	15
51	68,0	80,0	63,6	73,0	5	7,0	30
64	81,0	93,0	76,2	85,1	5	7,0	30
77	93,5	106,0	89	98,4	5	7,0	30
90	108,0	120,5	101,6	111,2	5	7,0	30
101	-	-	115,0	127,0	6	8,0	30

preferred

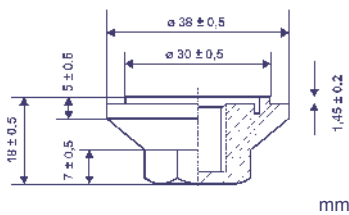
in mm

h = Height of brackets

Accessories for Bolt Mounting

Cap Nut

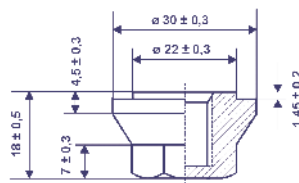
Order Code: ACCNUT3038M12
For Screw Capacitors with M12 Bolt



mm

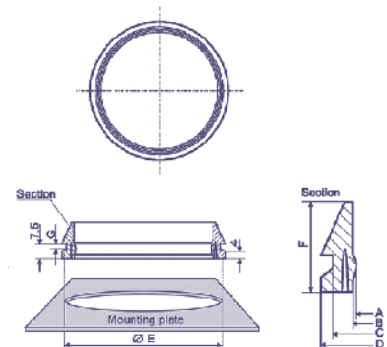
Cap Nut

Order Code: ACCNUT2230M12
For Screw Capacitors with M12 Bolt



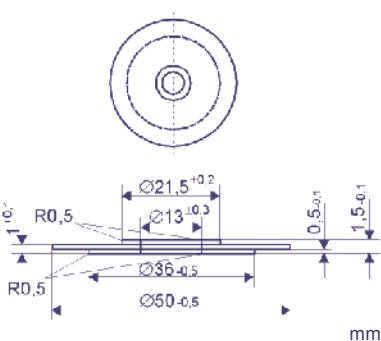
mm

Press Ring



Insulation Washer

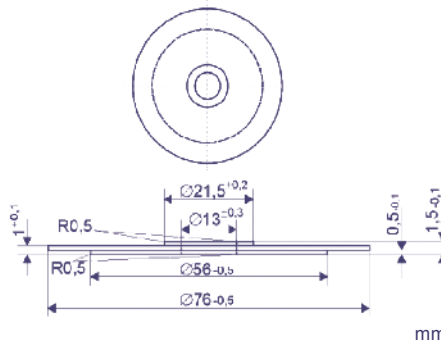
Order Code: ACCISO5113
For Screw Capacitors with Diameter 51 und 64



mm

Insulation Washer

Order Code: ACCISO7713
For Screw Capacitors with Diameter 77 und 90



mm

Ø Capacitor	64	77	90
A +0,3	62.3	74.8	88.0
B +0,3	64.1	77.0	90.0
C +0,3	70.5	84.5	97.9
D +0,3	74.5	88.6	102.0
E +0,2	71.2	85.5	98.6
F +0,2	18.0	20.0	23.5
G -0,25	3.0	2.4	3.0
Product Code Agree with RoHS	ACC PR164	ACC PR177	ACC PR190
Product Code Agree with RoHS and UL-94-V0	ACC PR464	ACC PR477	ACC PR490

All dimensions in mm