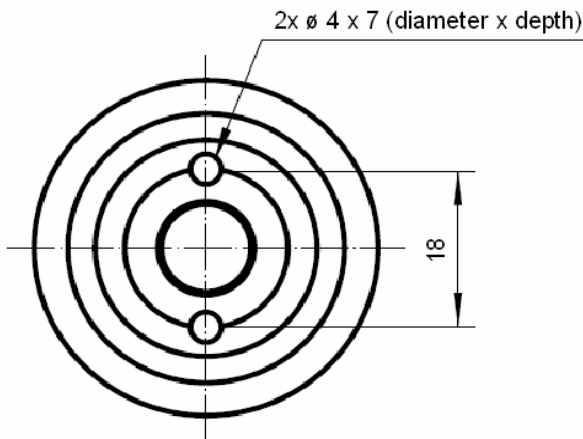


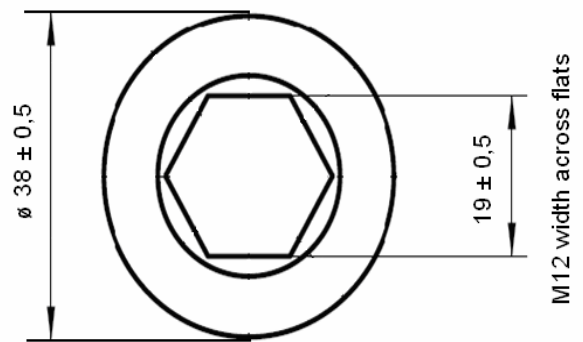
Cap Nut for screw thread M12 (Ø 38mm)

Bottom View



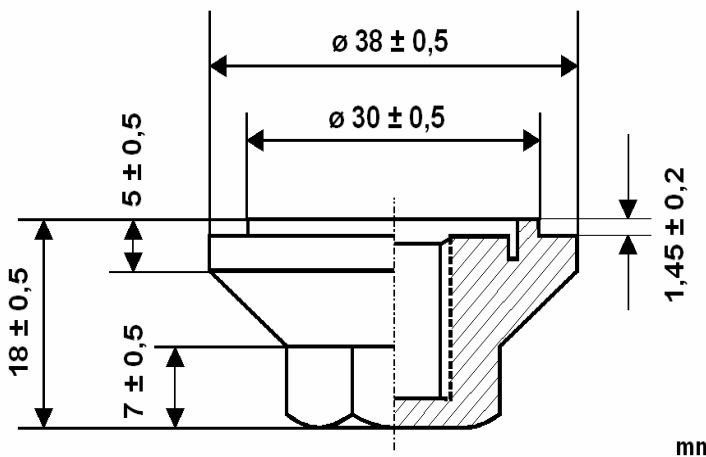
mm

Top View



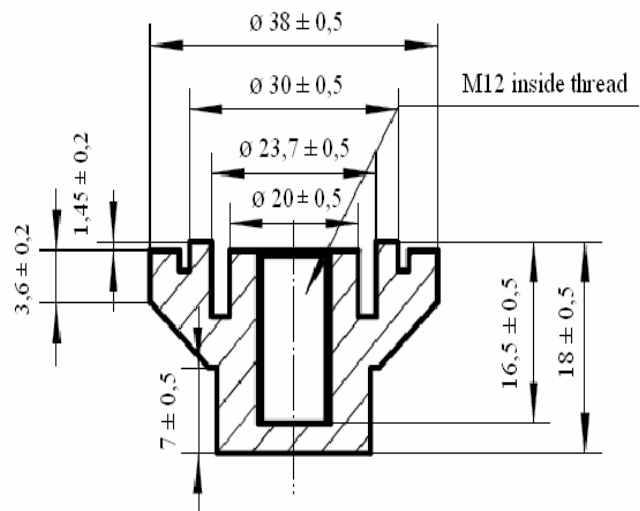
mm

Lateral View



mm

Cut View



mm

Ordercode: ACCNUT3038M12