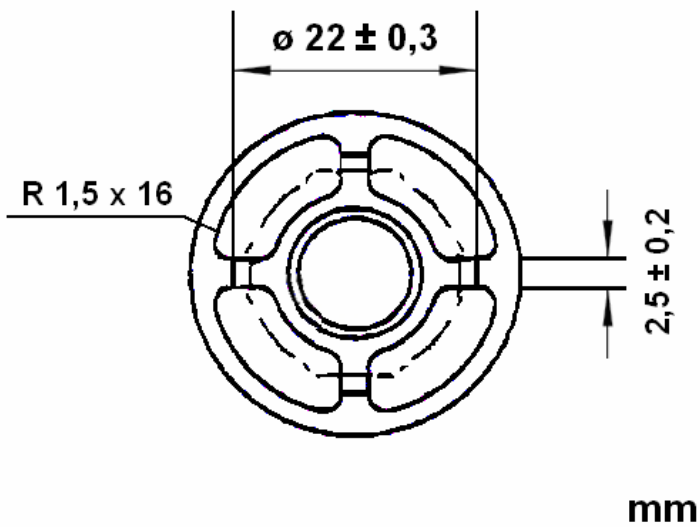
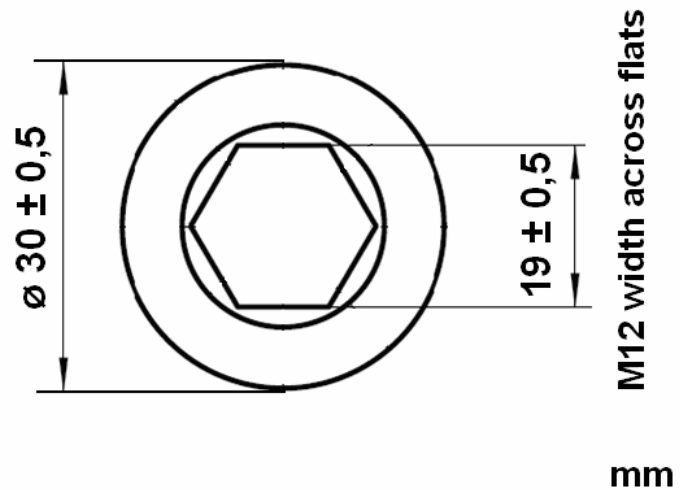


Cap Nut for screw thread M12 (Ø 30mm)

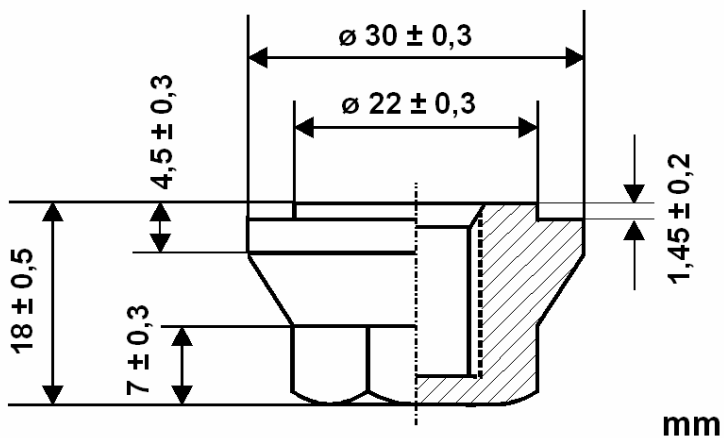
Bottom View



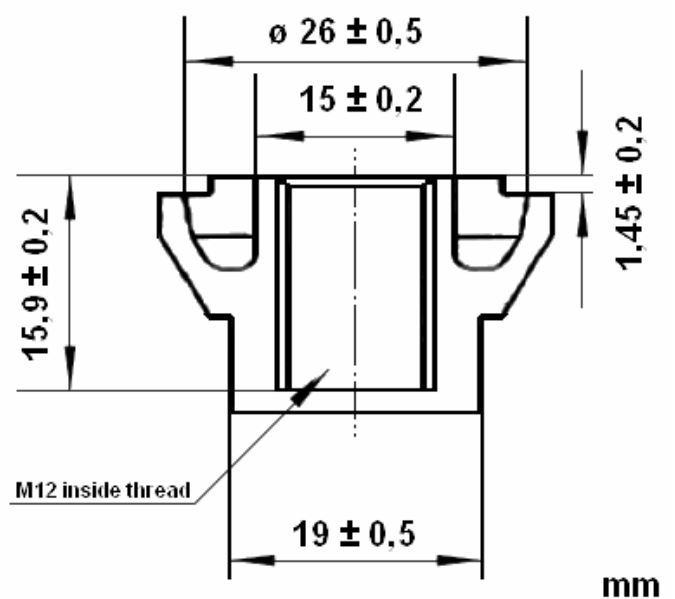
Top View



Lateral View



Cut View



Ordercode: ACCNUT2230M12